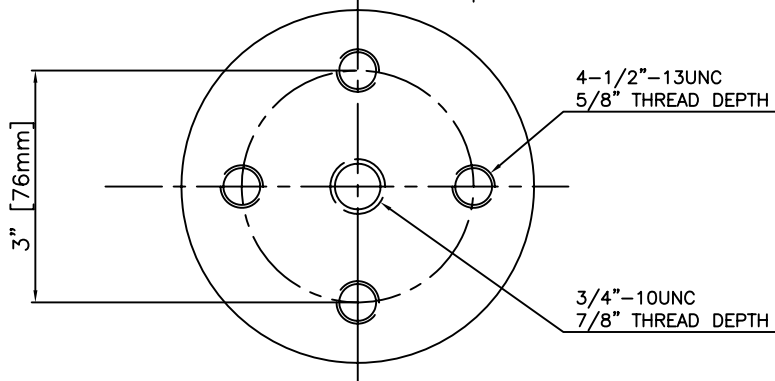


TECHICAL REQUIREMENTS

- | | |
|------------------------------|------------------|
| 1. CANTILEVER STRENGTH: | 2000# [9.1KN] |
| 2. TENSILE STRENGTH: | 3500# [15.9KN] |
| 3. TORSION STRENGTH: | 4500# [20.4KN.M] |
| 4. COMPRESSION STRENGTH: | 30000# [136KN] |
| 5. NEMA. VOLTAGE RATING: | 4.8KV |
| 6. 50 HERTZ WITHSTAND-DRY: | 19KV |
| 7. 50 HERTZ WITHSTAND-DEW: | 15KV |
| 8. IMPULSE WITHSTAND: | 60KV |
| 9. GLAZE: ANSI 70 LIGHT GREY | |
| 10. APPLICABLE STANDARD: | ANSI C29.10-1989 |



Medium Voltage Solutions

Eric, Pennsylvania, USA

Tel: 814-520-6385

Email: info@mvpower.us

Web: www.mvpower.us

PART NO. A30-1
INDOOR BUS SUPPORT